



ALITOVE T1000S

UTILIZING AN ALITOVE T1000S TO CONTROL WS2811 NEOPIXELS

WSB 2811 MATRIX USING GARDEN FENCE MESH AND POST

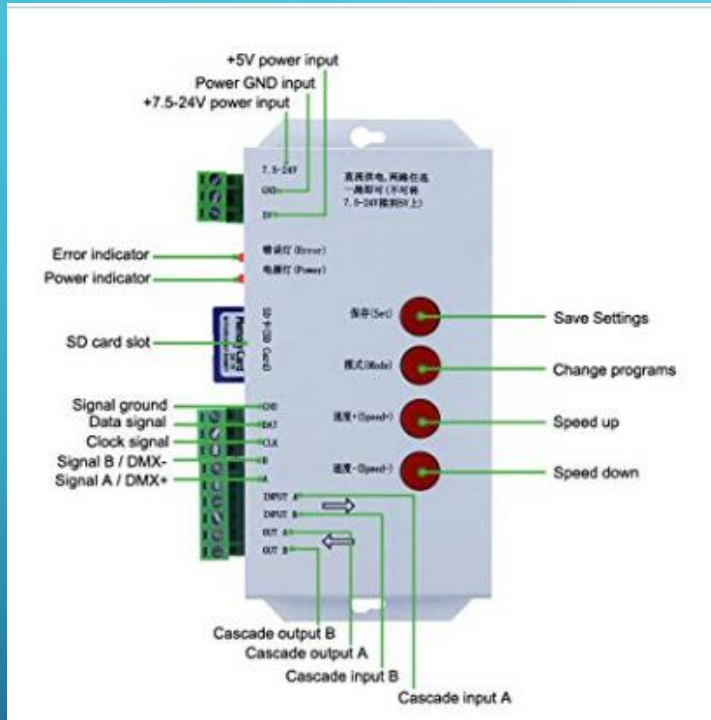


25 X 20 5v 500 LED Matrix

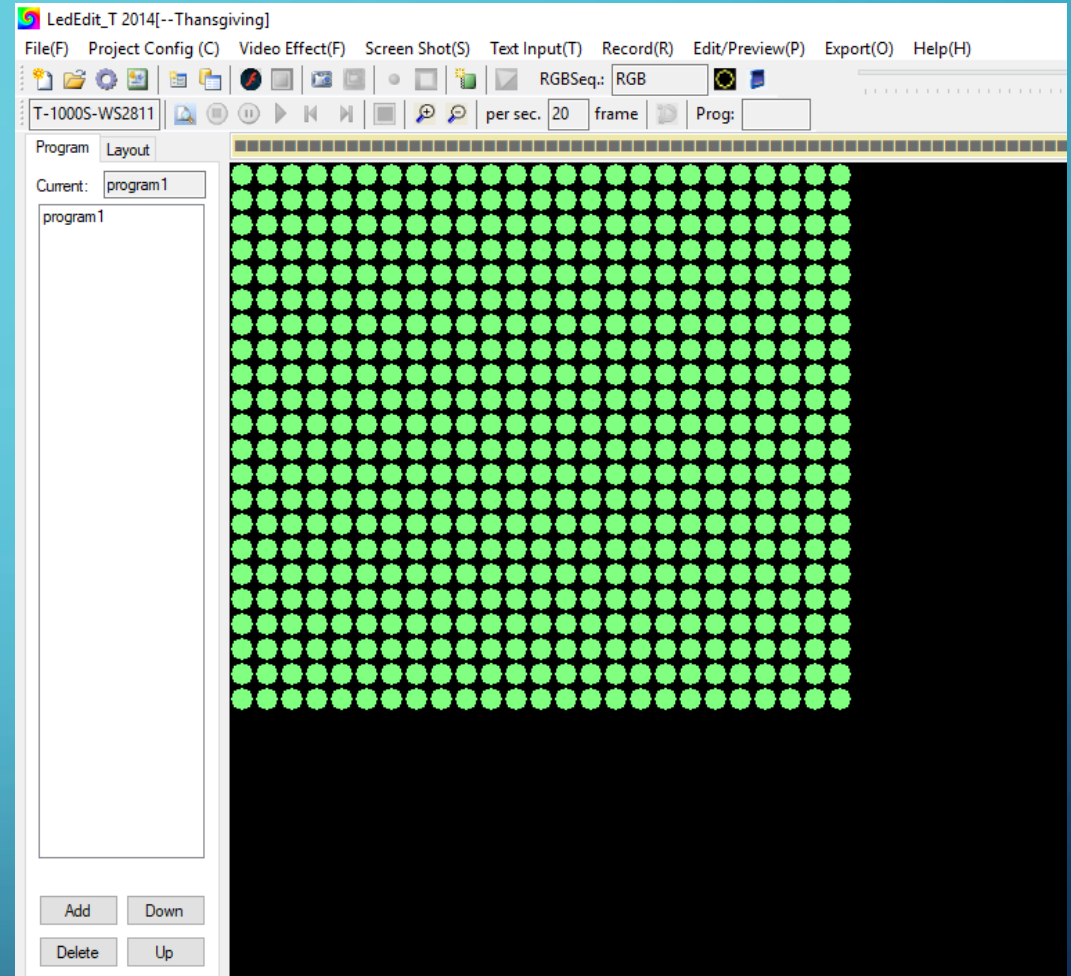


25 X 12 5v 350 LED Matrix

ALITOVE T1000S



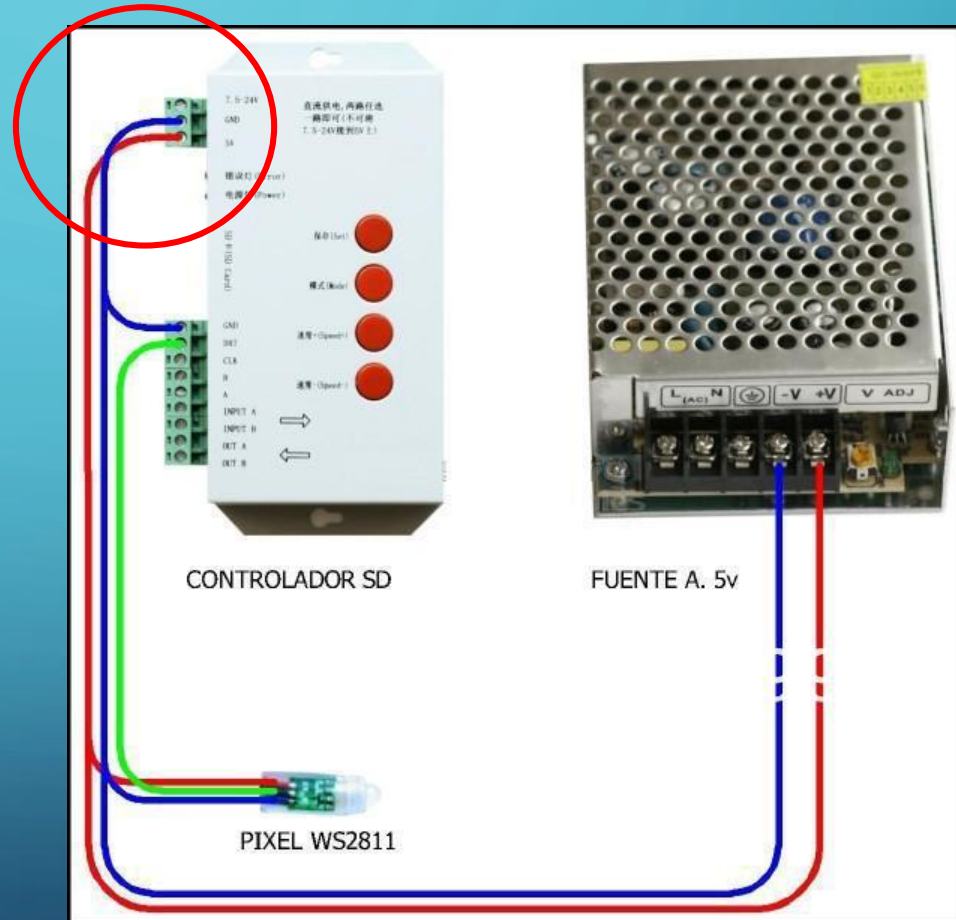
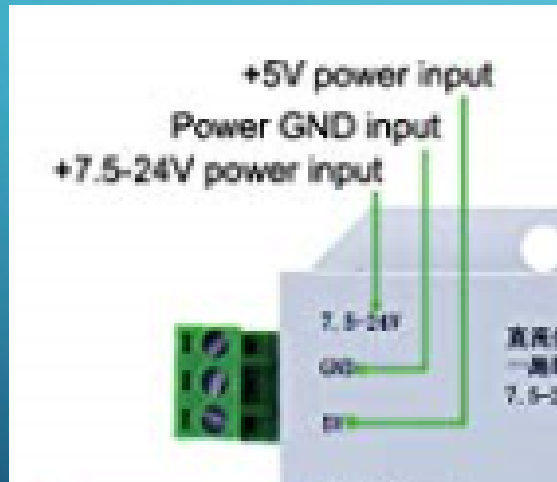
T1000 S Controller



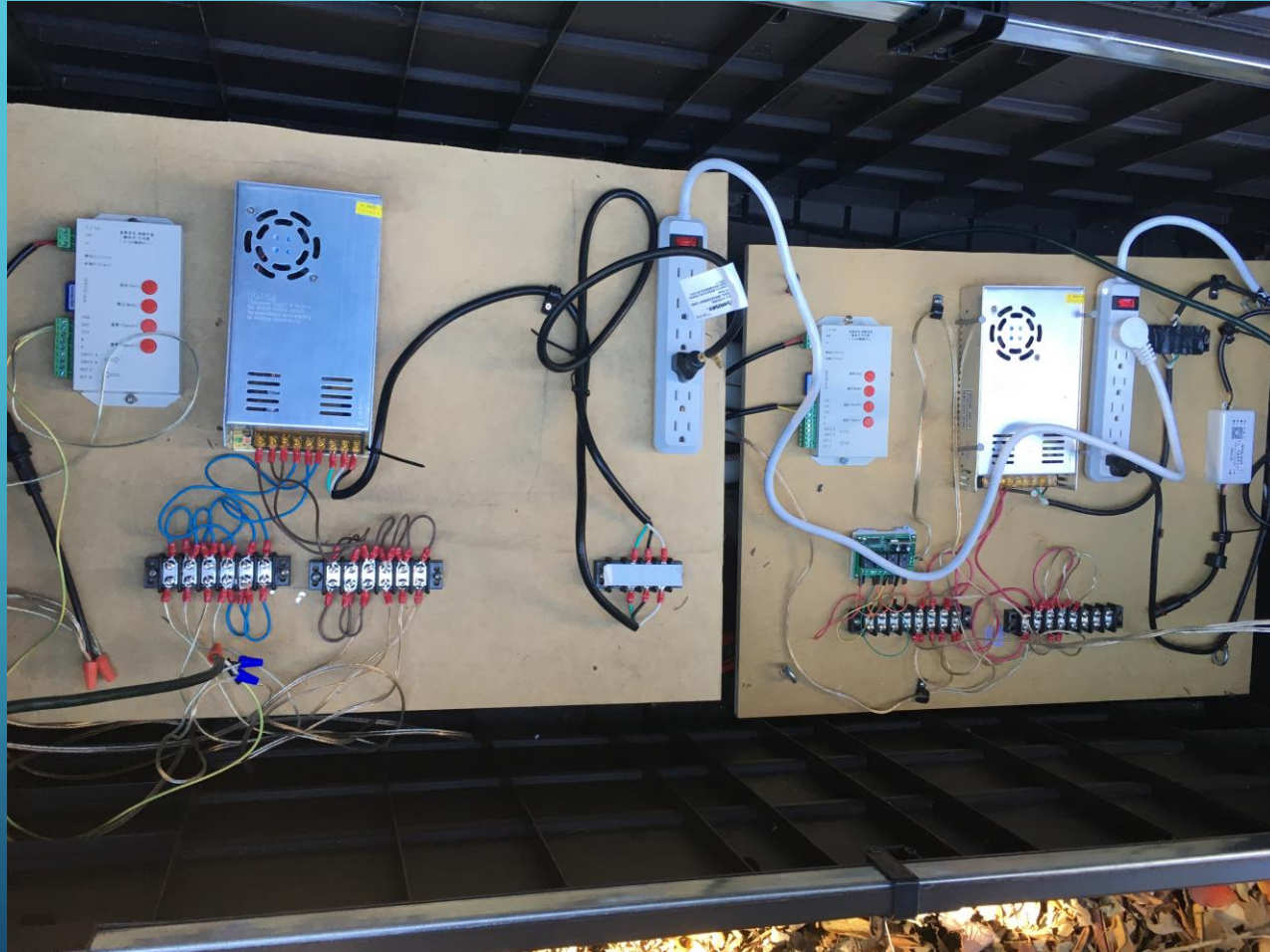
2014 LedEdit Software – (Newer Software not compatible with my Controller)

ALITOVE T1000S WIRING DIAGRAM

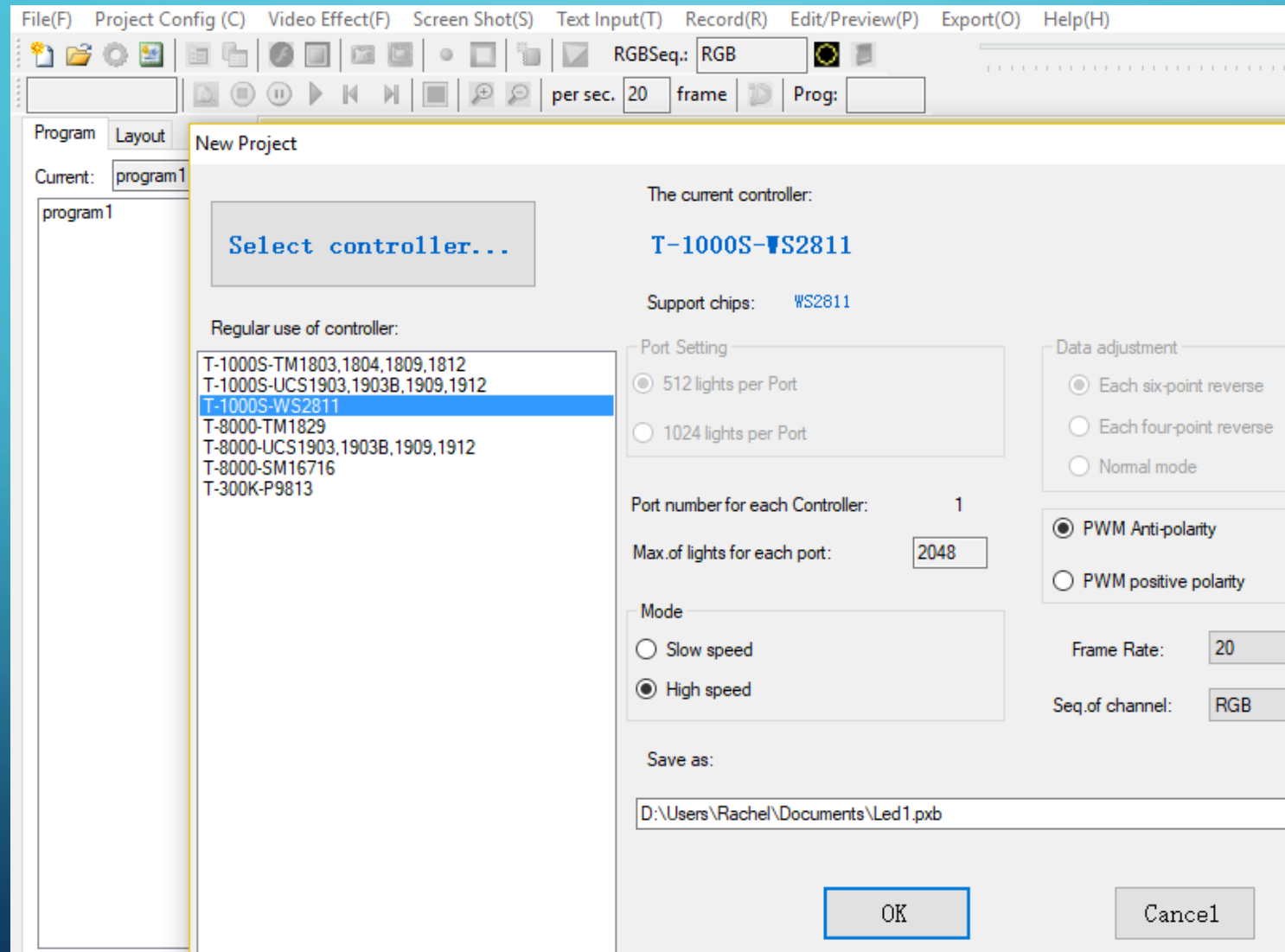
Connect to Appropriate terminal for your Power Supply



ALITOVE T1000S CONTROL BOARDS



OPEN LEEDIT 2014 SOFTWARE ON SD CARD SUPPLIED WITH CONTROLLER AND SELECT T1000S



CONFIGURE MATRIX FOR YOUR MATRIX AND PATTERN

LedEdit_T 2014[--Led1]

File(F) Project Config (C) Video Effect(F) Screen Shot(S) Text Input(T) Record(R) Edit/Preview(P) Export(O) Help(H)

RGBSeq.: RGB

T-1000S-WS2811 per sec. 20 frame Prog:

Program Layout

Current: program1

program1

Auto config

Setup

horizontal Pixel: 25 (1-4000)

Vertical Pixel: 20 (1-3000)

Max. Number of Lights for each port: 2048 (1-2048)

Pattern: On the right horizontal

Num of Controllers:

Max. Number of Ports Supported:

Max. Number of Lights Controllered:

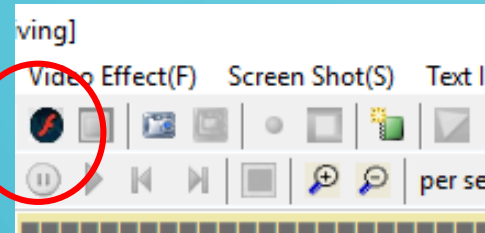
Error Tips:

OK Cancel

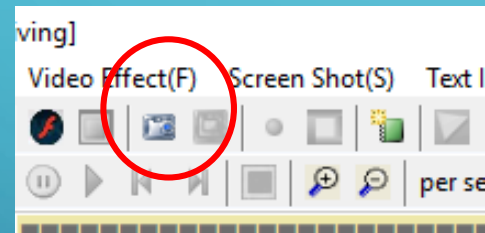
Input

LEEDIT 2014

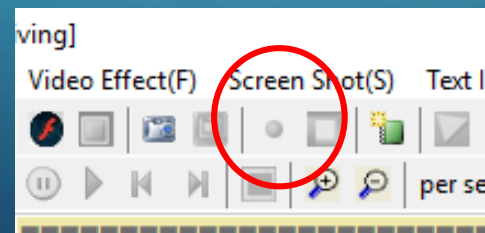
- IMPORT SHOCKWAVE MOVIES USING VIDEO EFFECT



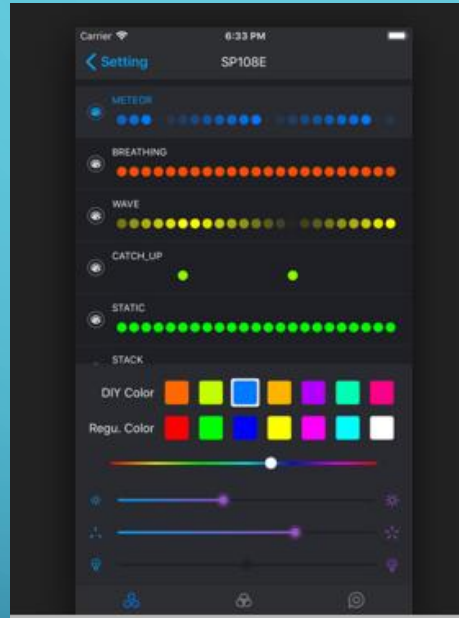
- CAPTURE SCREENSHOTS - GIFS, JPG, ETC



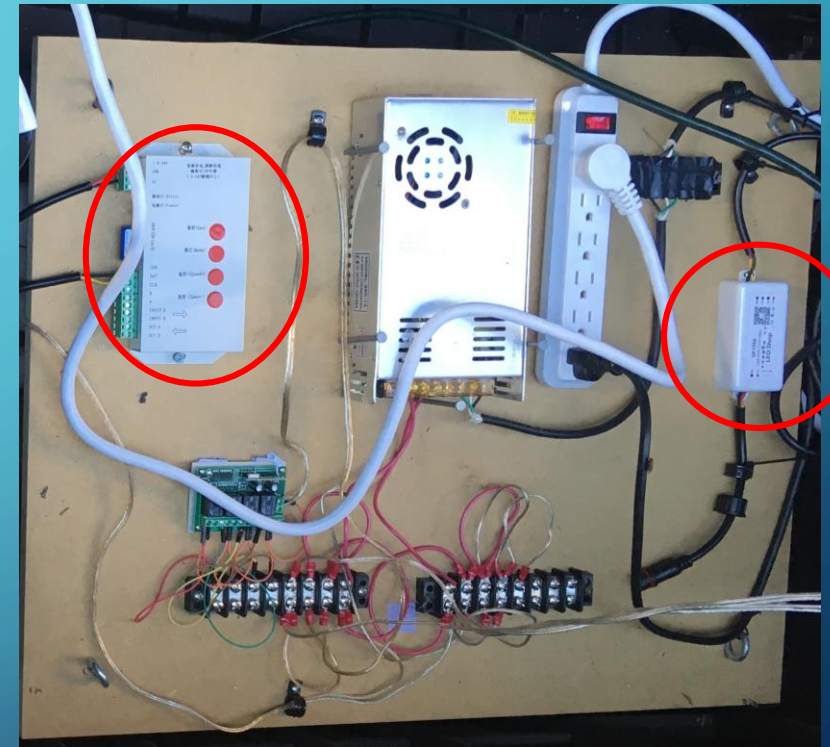
- RECORD EFFECTS



ALTERNATIVE SIMPLE PATTERN CONTROLLER



Control LED from Phone and LED Shop App using Alitove SP108E

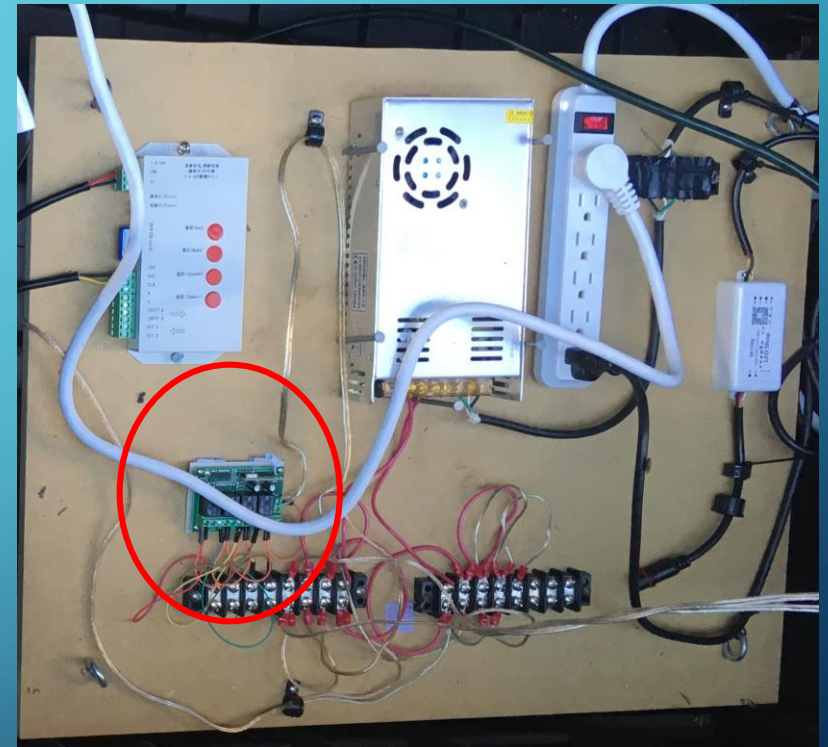


Option to use either T1000s or SP108E

RF RELAY



4 Channel RF Relay for
Simple Switching of Lamps
& Solenoids



Option to use either T1000s
or SP108E